

Can use screws through top of fuselage to mount brick to facilitate control hookup and removal of Rx and battery

Shaped balsa to fit contour of fuselage top

Pull Strings

Bits and pieces of hardwood to suit for end plates, servo hold-down and mounting

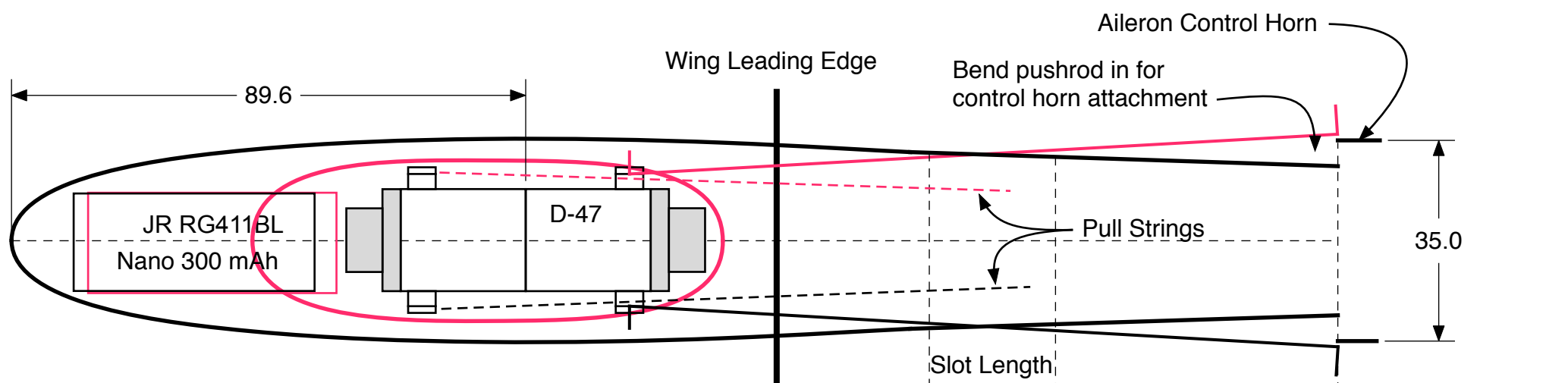
Can use tiny bolts and T-nuts for hold-down if desired

Use 8.5mm holes to drive aileron pushrods

Use 5mm holes to allow pull strings to pass by aft servos without interference

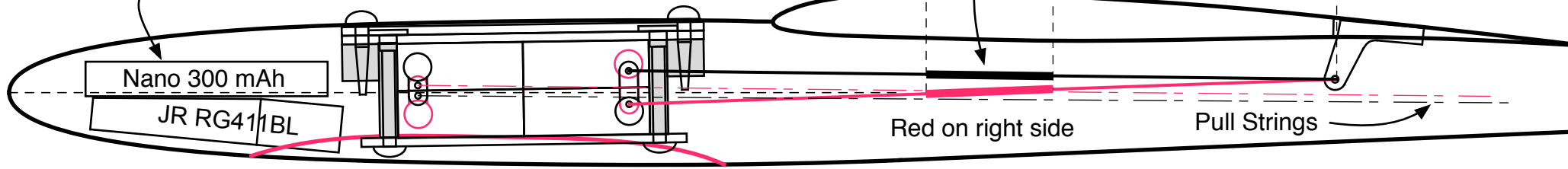
Typical brick using 4 - Dymond D47 or Ripmax SD100 Servos

1/16" (1.5mm) plywood servo mounts top and bottom



Strike 2 RC Installation Example

Turnigy nano-tech 300mAh 1S Lipo shown



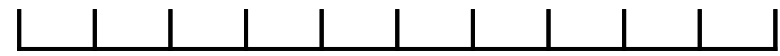
JR Brand Receiver shown. Any receiver of similar size will do.



Wrapped w/ plugs



Stock



100 mm