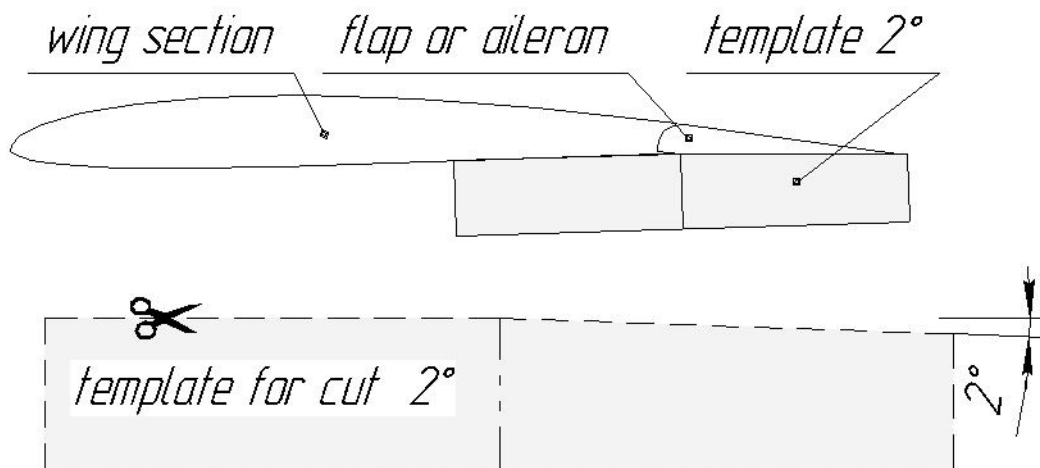
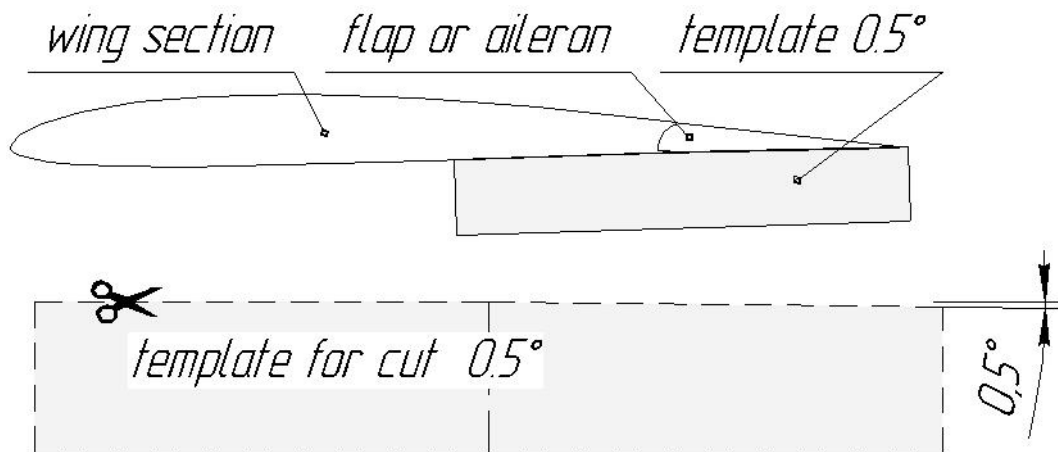


WING TEMPLATE FOR SPRITE, SUPRA, BLASTER

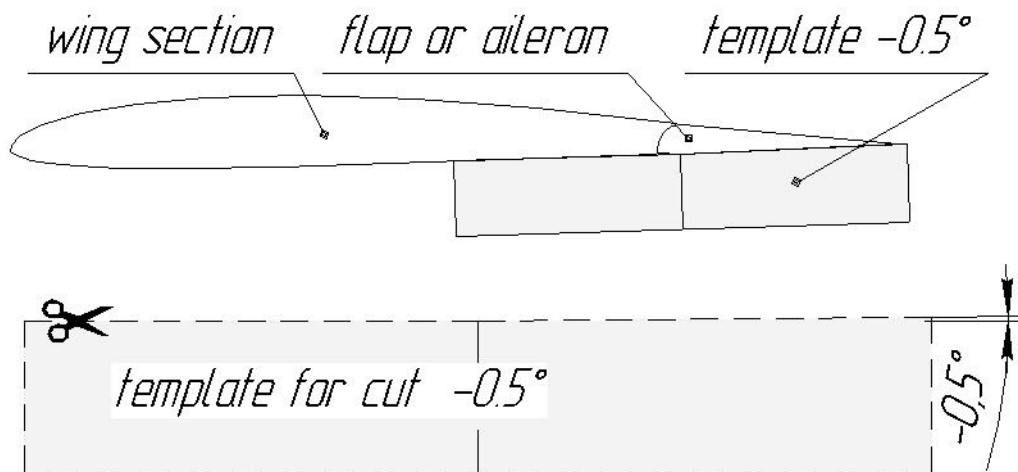
1) *CRUISE* flight mode.



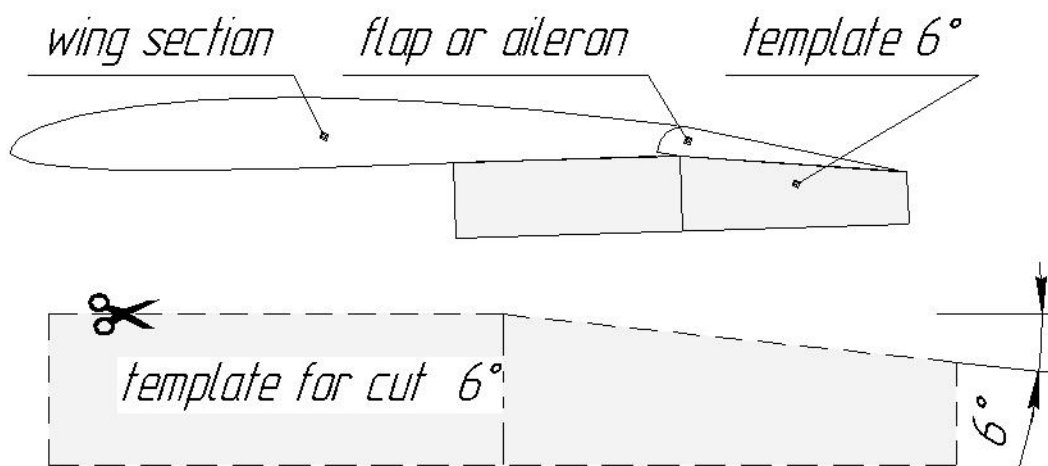
2) *SPEED* flight mode for best wind penetration.



- 3) **SPEED** flight mode after two man tow launch for the highest altitude. Blaster **LAUNCH** flight mode.



- 4) **Maximum THERMAL** flight mode. Also for **LANDING** mode for ailerons.



- 5) **LAUNCH** mode for F3j.

