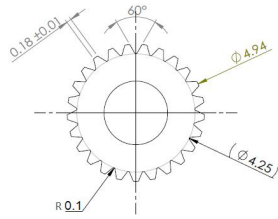
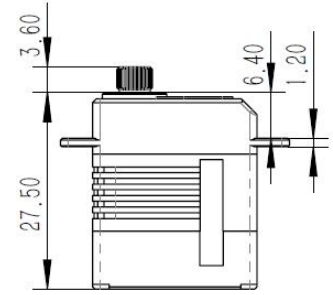
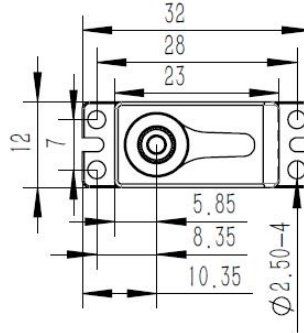


### X12-508 Servo Technical Specification



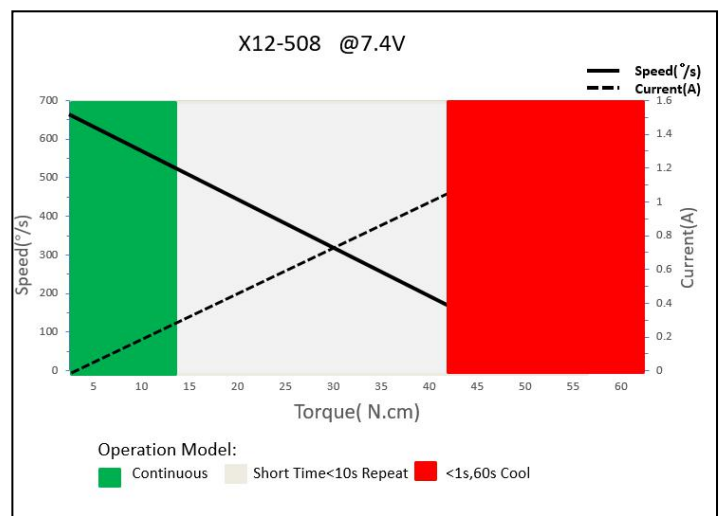
25T 5mm Output Shaft Spline



### 1. Operating Data

	X12-508
Rated Voltage	DC7.4V
Voltage Range	DC6.0V-8.4V
Torque	42N.cm@6.0V
	52N.cm@7.4V
	62N.cm@8.4V
Speed	0.09sec/60°@6.0V
	0.08sec/60°@7.4V
	0.07sec/60°@8.4V
Working Frequency	1520us/20KHz
Default Travel Angle	±50° = 100° Total
Temperature Range	-10°C.....+65°C
Soft Start	Yes
Programmable	Yes
Case Material	Aluminum Alloy
Motor Type	Coreless DC Motor
Gear Set Material	Hardened Steel
Position Sensor	Potentiometer
Case Dimensions	23mm*12mm*27.5mm±0.2mm
Weight	20g±10%

### 2. Performance



### 3. Command signal

#### PWM Command Interface

Signal Voltage	HIGH: min.3.3V, max.5.0V Low: min.0.0V, max.1.5V
Pulse Lengths	900us-2100us
Pulse Lengths for Position -50°/ 0°/+50°	1000us/1500us/2000us

### 4. Electrical Connection

 3 2 1	Pin Assignment			
	1	Orange	Signal	PWM Command
	2	Red	DC+	Supply Voltage
	3	Brown	DC-	Supply Ground