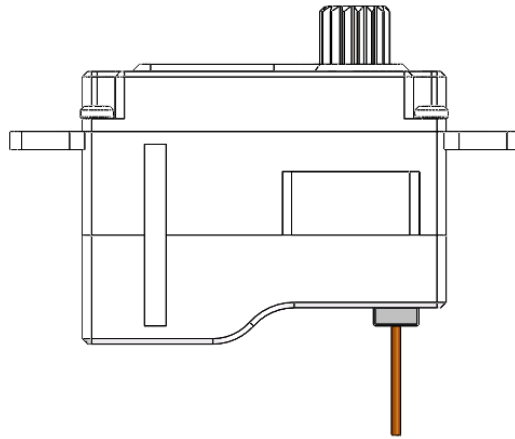
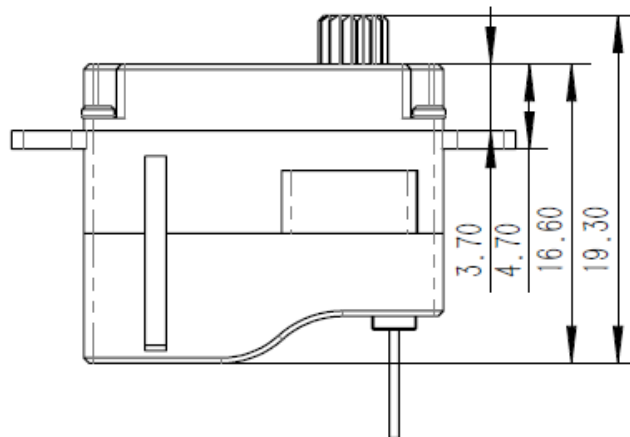
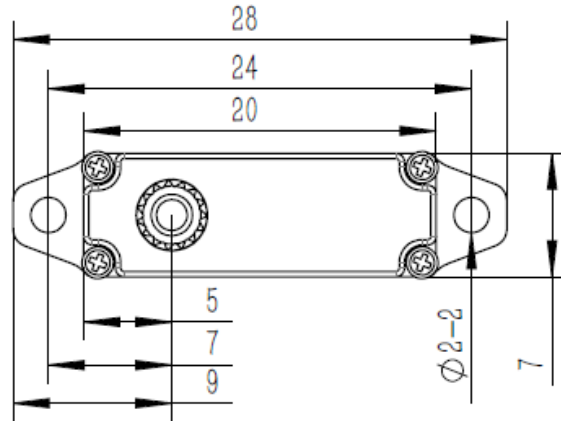


# X06

## Technical Specification



# 1. Installation Dimensions

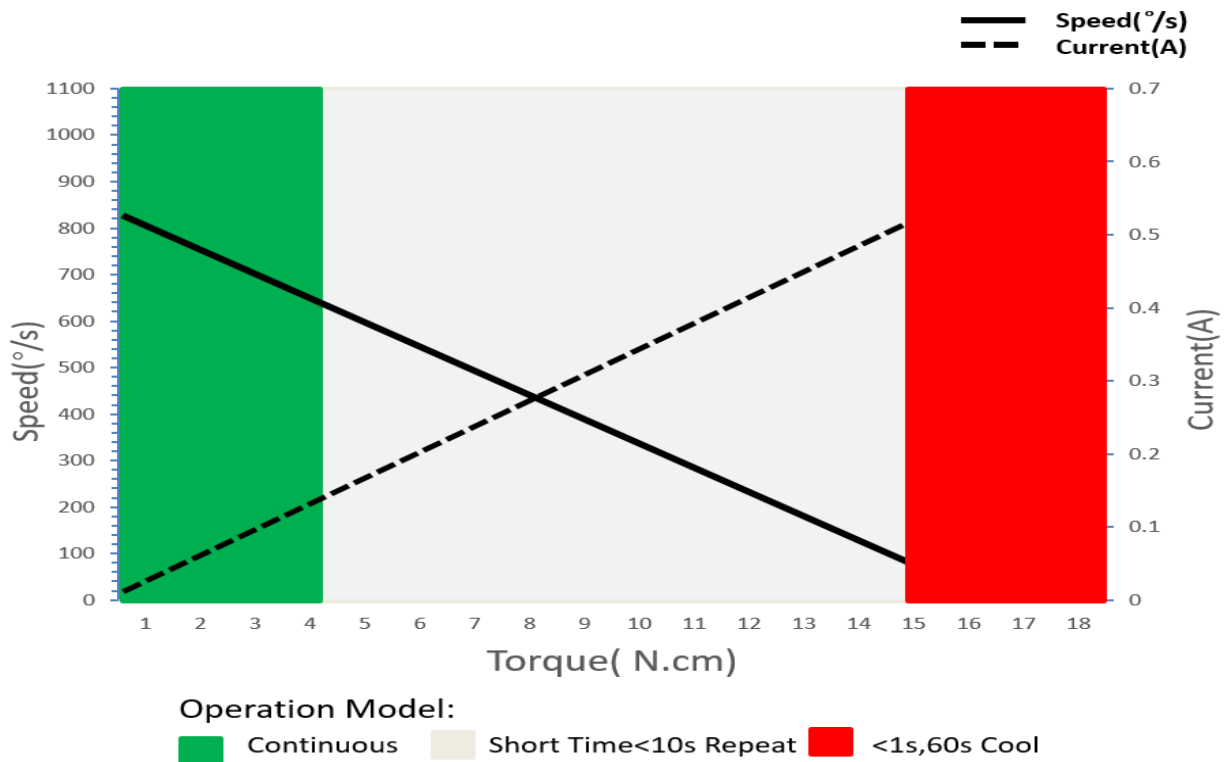


<b>Case Dimensions</b>	20mm*7mm*16.6mm $\pm$ 0.1mm
<b>Weight</b>	6g $\pm$ 10%

### 2. Operating Data

Rated Voltage	DC3.8V-8.4V
Voltage Range	DC6.0V
Stalling Torque	8N.cm@3.8V
	15N.cm@6.0V
	18N.cm@8.4V
Rated Torque	4N.cm@6.0V
Stalling Current	0.58A@6.0V
Rated Current	0.22A@6.0V
No-load Speed	0.12sec/60°@3.8V
	0.08sec/60°@6.0V
	0.07sec/60°@8.4V
Rated Speed	0.20sec/60°@6.0V
Default Travel Angle	±60° = 120° total travel
Operating Temperature Range	-20°C.....+65°C

### 3. Performance @6.0V



### 4. Command Signal

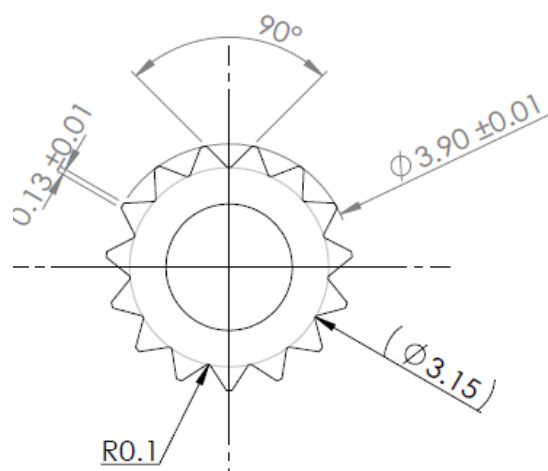
#### PWM Command Interface

Signal Voltage	TTL-Level: HIGH:min.3.3V,max.5.0V TTL-Level: Low:min.0.0V,max.1.5V
Pulse Lengths	1000us-2000us
Pulse Lengths for Position-60°/0°/+60°	1000us/1500us/2000us

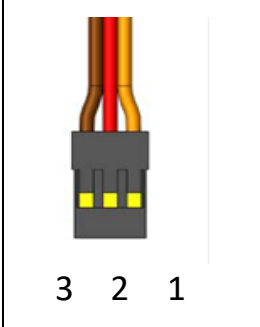
### 5. Materials and Features

Case Material	Aluminum Alloy 6061
Motor Type	Coreless DC Motor
Gear Set Material	Steel gear
Position Sensor	Potentiometer

### 6. Output Shaft Spline (15T)



## 7. Electrical Connection

	Pin Assignment			
	1	Yellow	SIG	Command Signal
	2	Red	+V DC	Supply Voltage
	3	Brown	GND	Supply Ground, Signal Ground

## 8. Accessories

N/A

## 9. Item Number System