



Full Aluminum Digital Coreless Slim Wing Servo

Particular Specification 詳細規格

Item No	BMS-M15H [Black Edition]
---------	-----------------------------------

1. Electrical Specification (Function Of The Performance) 電氣特性

1-1	Torque @ 6.0V	5.1 kg-cm / 70.8 oz-in
1-2	Torque @ 7.4V	6.4 kg-cm / 88.9 oz-in
1-3	Torque @ 8.4V	7.5 kg-cm / 104.2 oz-in
1-4	Speed @ 6.0V	0.14 sec / 60°
1-5	Speed @ 7.4V	0.11 sec / 60°
1-6	Speed @ 8.4V	0.10 sec / 60°

2. Apply Environmental Condition 使用環境條件

2-1	Operating Voltage Range	4.5V ~ 8.5V (4 ~ 6 Cell Ni-MH or 2S Li-Poly / 2S Li-Fe)
2-2	Operating Temperature Range	-20°C ~ +60°C (-4°F ~ +140°F)
2-3	Application / Suitable	Glider series : F3K, F3P & DLG, HLG & Aircraft

3. Control Specification 控制特性

3-1	Control System	Digital Controller / Resolution 12-Bits (4096 Steps)
3-2	Dead Bend Width	0.001ms (1us)
3-3	Working Frequency & Neutral	333 Hz / 1520us
3-4	Frame Rate (Signal repeat rate)	3ms (Maximum)
3-5	Potentiometer / VR	Magnetic Sensor (Contactless)
3-6	Rotating Direction	Clockwise / Pulse Traveling 1500 ~ 1900u sec
3-7	Operating Travel	90° (When 1100 ~ 1900 μ sec) [Maximum : 900us ~ 2100us]

4. Mechanical Specification 機械特性

4-1	Ball Bearing	Dual bearings
4-2	Type Gears	All Metal Gears
4-3	Motor Type	Premium Coreless Motor
4-4	Outside Case	Full Aluminum Alloy Case [Black Edition]
4-5	Horn / Gear Spline	25 Teeth (Same as F-Type)
4-6	Connected Cable Length	150 mm (5.9 in) With removable Cable
4-7	Connected Housing	Universal Connector (J-Type) [Black Edition]

5. Outline Drawing 外觀尺寸

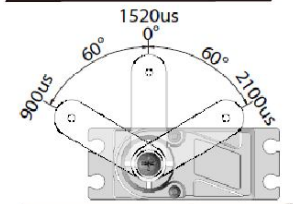
5-1	Dimension (mm)	23.2 x 10 x 24.3 mm / 0.91 x 0.39 x 0.96 in
5-2	Weight (gram)	12.0 ± 0.5 grams / 0.42 oz (W/O Cable)



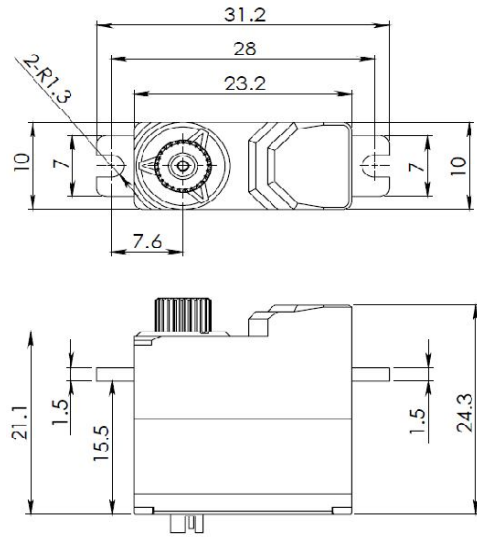
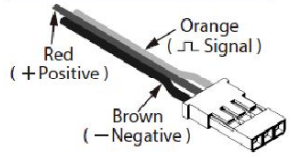
Product Picture / Dimension Sketch

Servo Frequency 333 Hz

Operating Pulse Traveling



Connected Wire



5-3